



İMAJ TEKNİK
ELEKTRİK ELEKTRONİK MALZ. SAN. VE TİC. LTD. ŞTİ

INSTANTANEOUS AND FUNCTION RELAYS

Instantaneous relays 4 contacts / 2246



TEC

2246

- ▶ rear wiring socket with clips 9246
- ▶ rear wiring socket with clips 9243
- ▶ rear wiring socket / PCB mounting 9244
- ▶ front wiring socket with clips 9946-20
- ▶ front wiring socket / screw terminals 9946-10



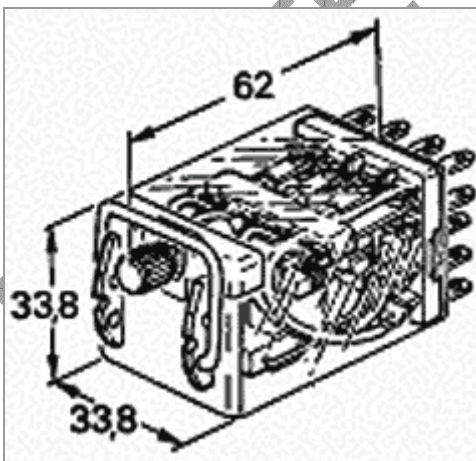
DESCRIPTION

Instantaneous relay - 4 CO contacts, 8-10 A.

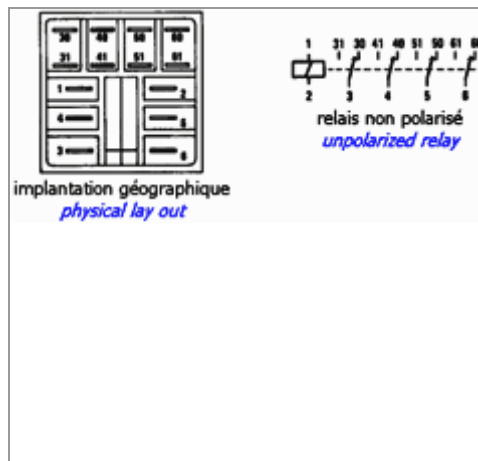
Pluggable on the following sockets : 9244, 9246, 9243 & 9946.

Detailed table of the coil resistance data is available in the technical support pages of this site or can be sent upon request.

Dimensions



Connection



TECHNICAL FEATURES

Function	Instantaneous
Presentation	under cover
Connection	on front or rear wiring socket
Number of mechanical operations	10.000.000
Operating temperature	- 25 to + 60°C
Storage temperature	- 40°C to + 80°C
Climatic protection	reinforced climatic protection
Shock voltage	50 g - 11 ms
Dielectric strength	2,5 KV-50 Hz-1 min at 40°C and 70% HR
Insulation resistance	200 MOhms
Weight	80 g.

COIL DATA

	Direct current	Alternative current	
Min. nominal voltage DC	6 V	6 V	
Min. nominal voltage AC	220 V	400 V	
Operating range	-20/+10% of nominal voltage		
Power requirement	2,2W	4,5 VA	3 VA

CONTACTS

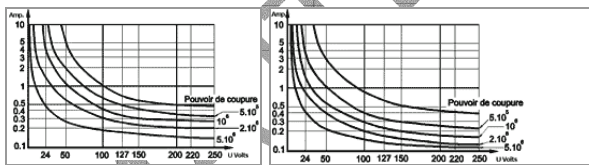
Number of contacts	4
Contacts material	silver alloy with gold flash
Max. load current	10 A per contact
Low power switching	150 mA with min. voltage 5 V & I min 10 mA
Short-circuit load	250 A / 30 ms
Response time	DC < 20 ms - AC < 21 ms
Bounce time	< 9 ms

CONTACTS RATING

DIRECT CURRENT

resistive load

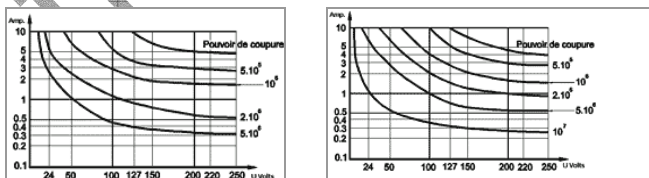
inductive load L/R = 20 ms



ALTERNATIVE CURRENT

resistive load

inductive load cos phi = 0.7



VERSIONS

Following options are available with 2246 relay : test push-button, mechanical position indicator.

Standard version includes complete withdrawal.

For any complementary information regarding mounting and withdrawal, please refer to the technical support pages of this site or contact us.